

ADMINISTRATIVE CONTROL CONSOLES

** ACC4B

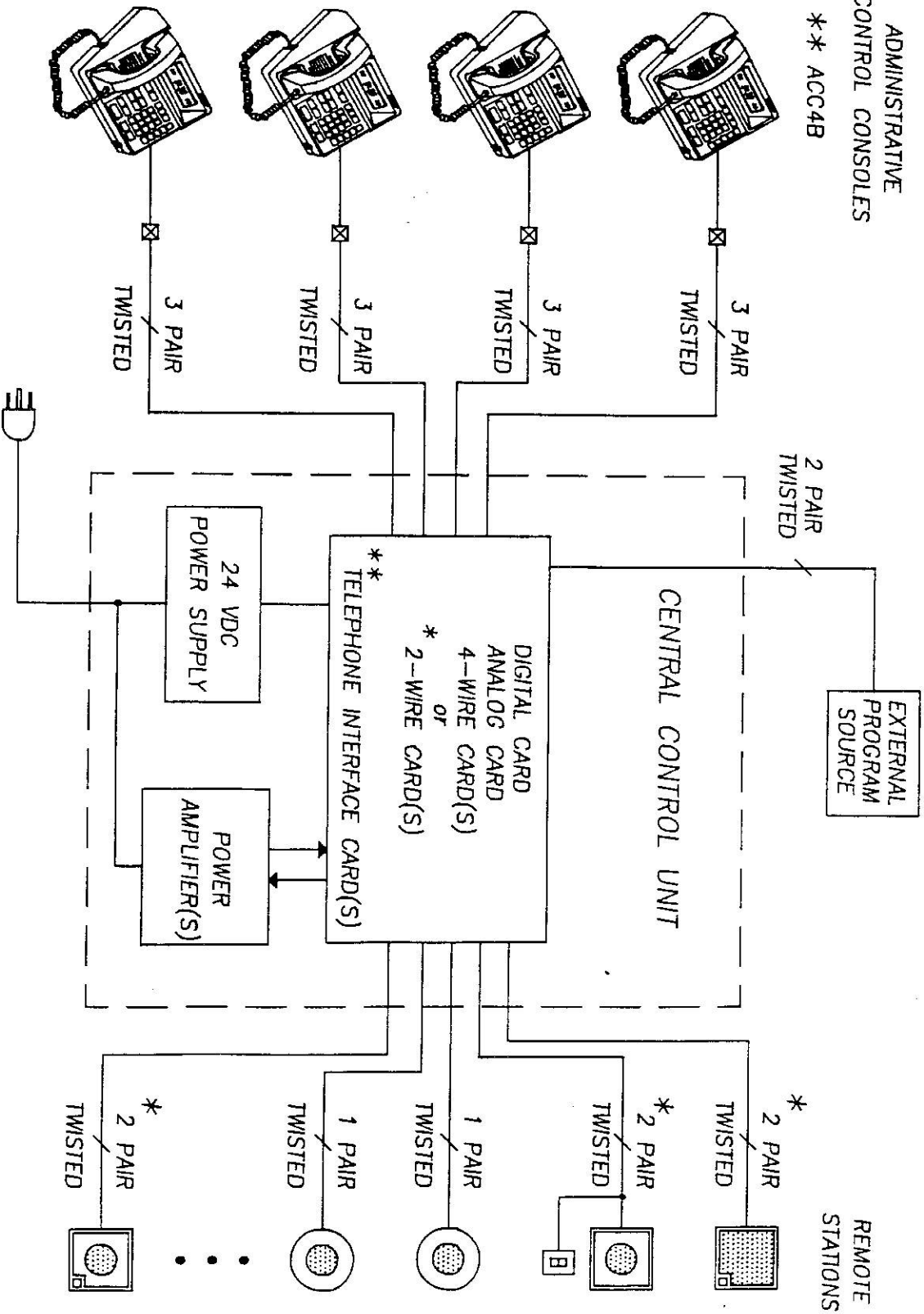
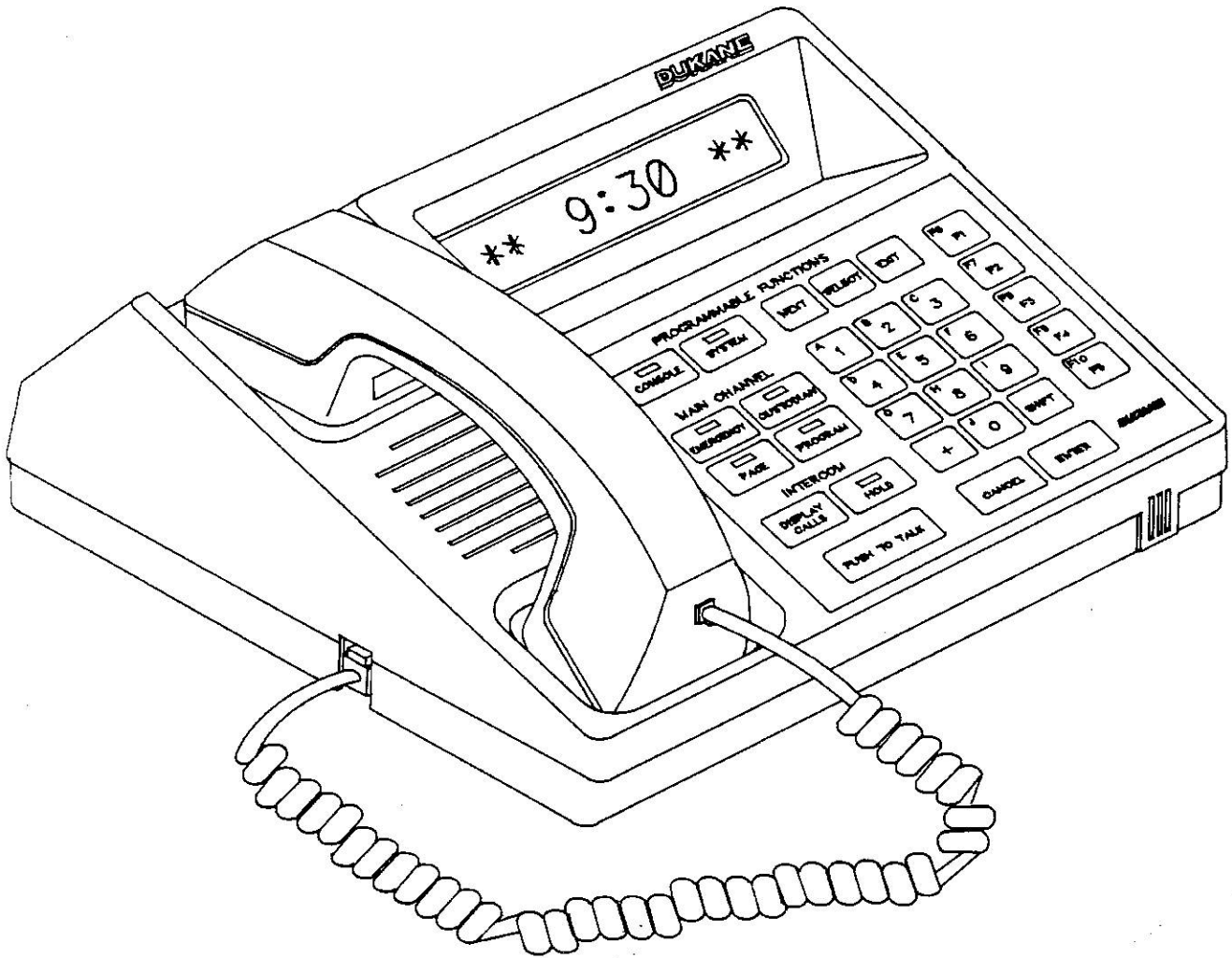


FIGURE 1 MCS250 BLOCK DIAGRAM

- 2-Wire Switching Card systems use one Intercom twisted pair to each remote station.
- ** When Telephone Interface Card(s) are installed, each card uses one of the four ACC ports on the Analog Card.

FIGURE 2 ADMINISTRATIVE CONTROL CONSOLE



When Telephone Intercoms Car(s) are installed, when there are any at the time the MCS250 panels are installed, an Analog Card.